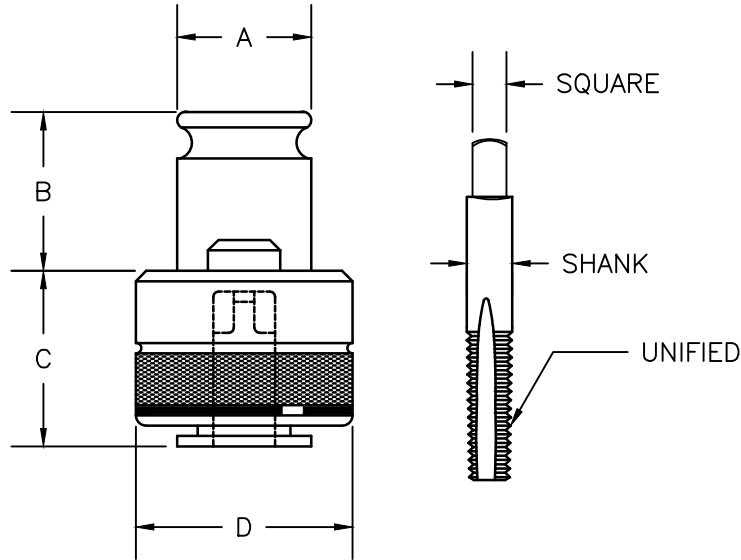


TAP HOLDERS WITH ADJUSTABLE CLUTCH

PROVIDES QUICK
RELEASE OF TAP



ALLOWS BLIND
HOLE TAPPING

| HOLDER SIZE | A | B | C | D |
|-------------|------|------|------|------|
| SIZE 1 | .75 | .85 | .98 | 1.26 |
| SIZE 2 | 1.22 | 1.38 | 1.34 | 1.97 |
| SIZE 3 | 1.89 | 2.19 | 1.77 | 2.83 |
| SIZE 4 | 2.36 | 2.50 | 2.79 | 3.72 |

SIZE 1 TAP HOLDERS WITH ADJUSTABLE CLUTCH

| UNIFIED | METRIC | SHANK DIA | SQUARE DIA | PART NO |
|--------------------------------|-----------|-----------|------------|---------|
| 0-6 | M1.6-M3.5 | .141 | .110 | 16889B |
| 8 | M4 | .168 | .131 | 16890B |
| 10 | M4.5-M5 | .194 | .152 | 16891B |
| 12 | | .220 | .165 | 16892B |
| 1/4 | M6-M6.3 | .255 | .191 | 16893B |
| 5/16 | M7-M8 | .318 | .238 | 16894B |
| 3/8 | M10 | .381 | .286 | 16895B |
| 7/16 | M11 | .323 | .242 | 16896B |
| 1/2 | M12-M12.5 | .367 | .275 | 16897B |
| 9/16 | M14 | .429 | .322 | 16898B |
| 5/8 | M16 | .480 | .360 | 16899B |
| 1/16 OR 1/8 NPT SMALL SHANK | | .3125 | .234 | 164622B |
| 1/8 NPT LARGE SHANK | | .4375 | .328 | 162710B |

DIN, JIS, HELICOIL AND ISO STANDARDS ALSO AVAILABLE

SIZE 2 TAP HOLDERS WITH ADJUSTABLE CLUTCH

| UNIFIED | METRIC | SHANK DIA | SQUARE DIA | PART NO |
|---------|-----------|-----------|------------|----------|
| 5/16 | M7-M8 | .318 | .238 | 26894B |
| 3/8 | M10 | .381 | .286 | 26895B |
| 7/16 | M11 | .323 | .242 | 26896B |
| 1/2 | M12-M12.5 | .367 | .275 | 26897B |
| 9/16 | M14 | .429 | .322 | 26898B |
| 5/8 | M16 | .480 | .360 | 26899B |
| 11/16 | M18 | .542 | .406 | 26900B |
| 3/4 | | .590 | .442 | 26901B |
| 13/16 | M20 | .652 | .489 | 26902B |
| 7/8 | M22 | .697 | .523 | 26903B |
| 1/4 NPT | | .5625 | .421 | 268623RB |
| 3/8 NPT | | .700 | .531 | 268624RB |
| 1/2 NPT | | .6875 | .515 | 268625RB |

1

SIZE 3 TAP HOLDERS WITH ADJUSTABLE CLUTCH

| UNIFIED | METRIC | SHANK DIA | SQUARE DIA | PART NO |
|---------------|--------|-----------|------------|----------|
| 9/16 | M14 | .429 | .322 | 36898B |
| 5/8 | M16 | .480 | .360 | 36899B |
| 11/16 | M18 | .542 | .406 | 36900B |
| 3/4 | | .590 | .442 | 36901B |
| 13/16 | M20 | .652 | .489 | 36902B |
| 7/8 | M22 | .697 | .523 | 36903B |
| 15/16 | M24 | .760 | .570 | 36904B |
| 1 | M25 | .800 | .600 | 36905B |
| 1-1/16, 1-1/8 | M27 | .896 | .672 | 36907B |
| 1-3/16, 1-1/4 | M30 | 1.021 | .766 | 36909B |
| 1-5/16, 1-3/8 | M33 | 1.108 | .831 | 36911B |
| 3/8 NPT | | .700 | .531 | 368624RB |
| 1/2 NPT | | .6875 | .515 | 368625RB |
| 3/4 NPT | | .9063 | .679 | 368626RB |
| 1 NPT | | 1.1250 | .843 | 368627RB |

1

SIZE 4 TAP HOLDERS WITH ADJUSTABLE CLUTCH

| UNIFIED | METRIC | SHANK DIA | SQUARE DIA | PART NO |
|-----------|--------|-----------|------------|----------|
| 1-1/2 | M36 | 1.233 | .925 | 46912RB |
| 1-5/8 | M39 | 1.305 | .979 | 46913RB |
| 1-3/4 | M42 | 1.430 | 1.072 | 46914RB |
| 1-7/8 | | 1.519 | 1.139 | 46915RB |
| 2 | M48 | 1.644 | 1.233 | 46916RB |
| 1-1/4 NPT | | 1.312 | .984 | 468628RB |
| 1-1/2 NPT | | 1.500 | 1.125 | 468629RB |

DIN, JIS, HELICOIL AND ISO STANDARDS ALSO AVAILABLE